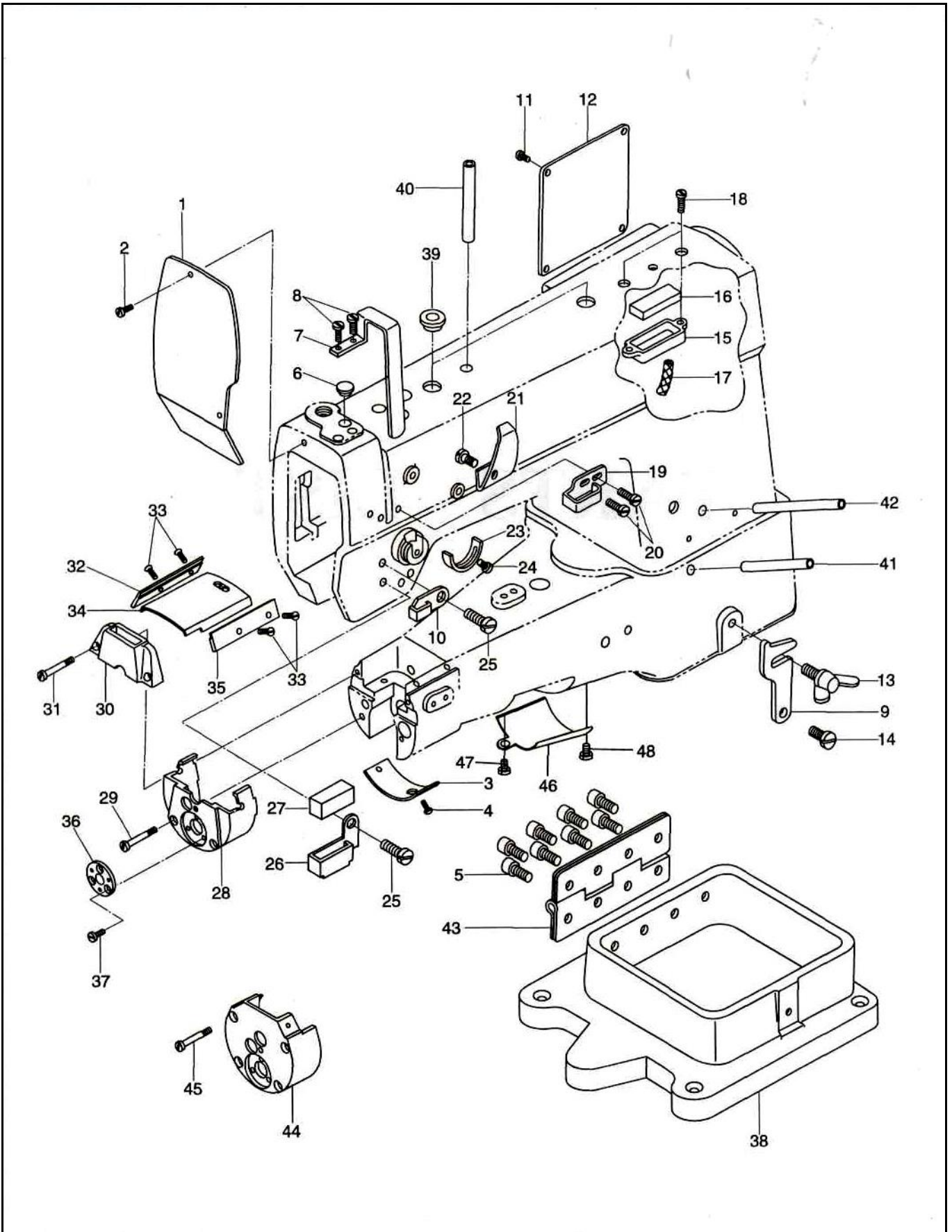


# 1 .Casting components

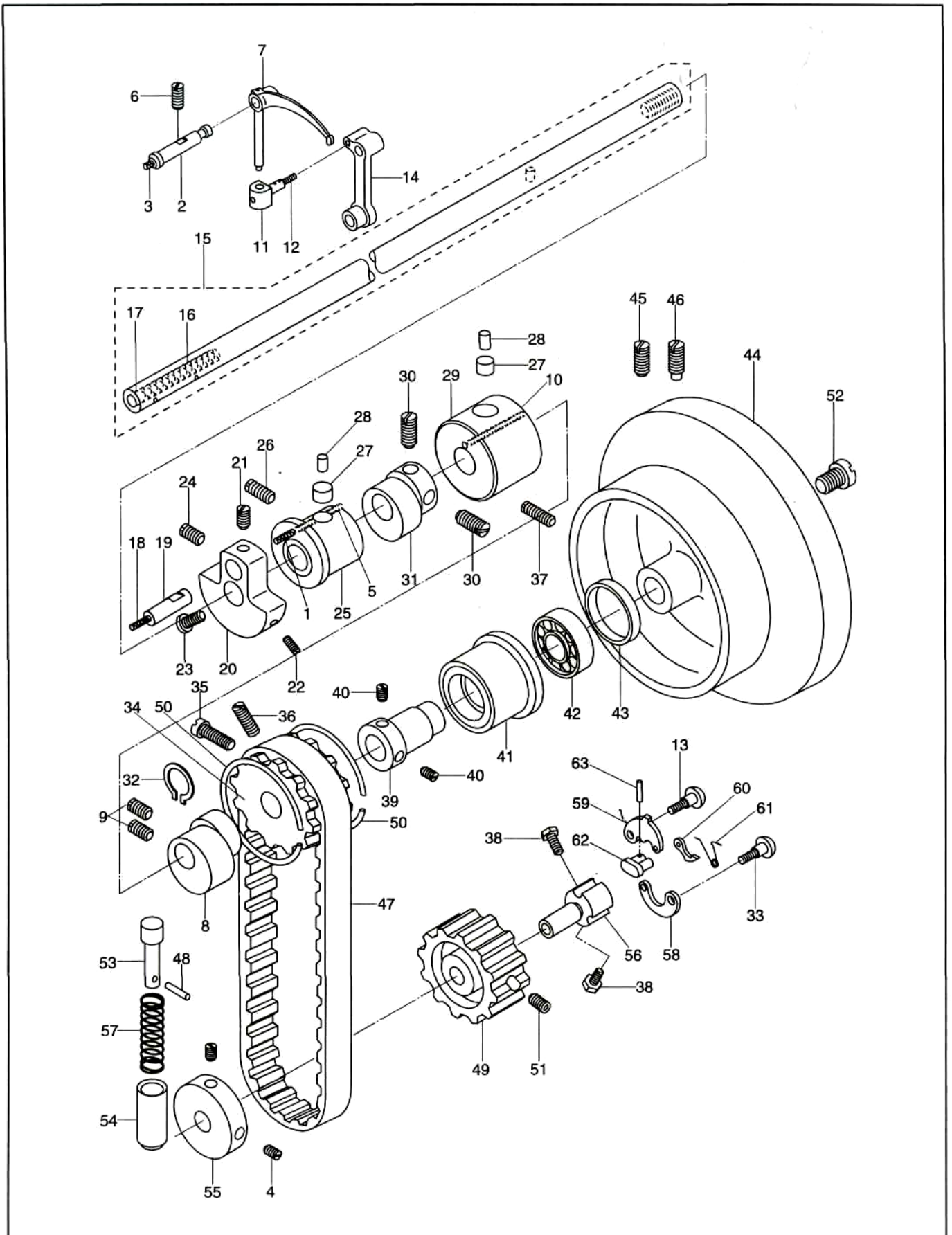


## 1 .Casting components

Ref. NO.	Parts No.	Name of parts	Qty.	Remarks
1	50WF2-004	Face plate	1	
2	16WF1-059	Screw	2	SM9/64" x 40
3	50WF2-005	Gear cover	1	
4	13WF2-010	Screw	2	SM9/64" x 40
5		Screw	8	GB70-85 M8X20
6	50WF2-008	Rubber plug	1	
7	50WF2-009	Thread take-up lever cover	1	
8	1WF2-038	Screw	2	SM15/64"x28
9	50WF2-010	Connecting hook	1	
10	16WF2-012	Thread guide(middle)	1	
11	7WF5-017	Screw	4	SM11/64"x40
12	50WF2-013	Side plate	1	
13	50WF2-012	Wing bolt	1	
14	50WF2-011	Screw	1	
15	50WF2-019	Oil pan	1	
16	50WF2-020	Felt	1	
17		Oil wick	1	
18	7WF4-004	Screw	2	SM11/64"x40
19	50WF2-014	Thread guide(upper)	1	
20	16WF2-015	Screw	2	SM9/64" x 40
21	50WF2-021	Take-up oil splashier	1	
22	19WF4-002	Screw	1	SM9/64" x 40
23	50WF2-022	Take-up spring adjusting plate	1	
24	1WF1-026	Screw	1	SM9/64" x 40
25	16WF2-015	Screw	2	SM9/64" x 40
26	50WF2-015	Thread guide(lower)	1	
27	50WF2-016	Felt	1	
28	50WF2-023	Throat plate base	1	
29	50WF2-024	Screw	2	SM11/64" x 40
30	50WF2-027	Throat plate	1	
31	50WF2-028	Screw	2	SM11/64" x 40
32	50WF2-029	Left side plate	1	
33	50WF2-031	Screw	4	SM9/64" x 40
34	50WF2-032	Bed slide	1	
35	50WF2-030	Right side plate	1	
36	50WF2-025	Lower shaft front cover	1	
37	50WF2-026	Screw	3	SM11/64" x 40
38	50WF2-003	Machine base	1	
39		Rubber plug	2	
40	50WF3-090	Oil tube	1	
41	50WF3-091	Oil tube	1	
42	50WF1-055	Oil tube	1	
43	50WF2-006	Hinge	1	
44		Throat plate base	1	1#
45		Screw	4	1# SM11/64"x40
46	50WF2-007	Cylinder bed cover(lower)	1	
47	1WF1-016	Left screw	1	SM11/64" x 40
48	22WF5-027	Right screw	1	SM11/64" x 40

Note: #1 --- option

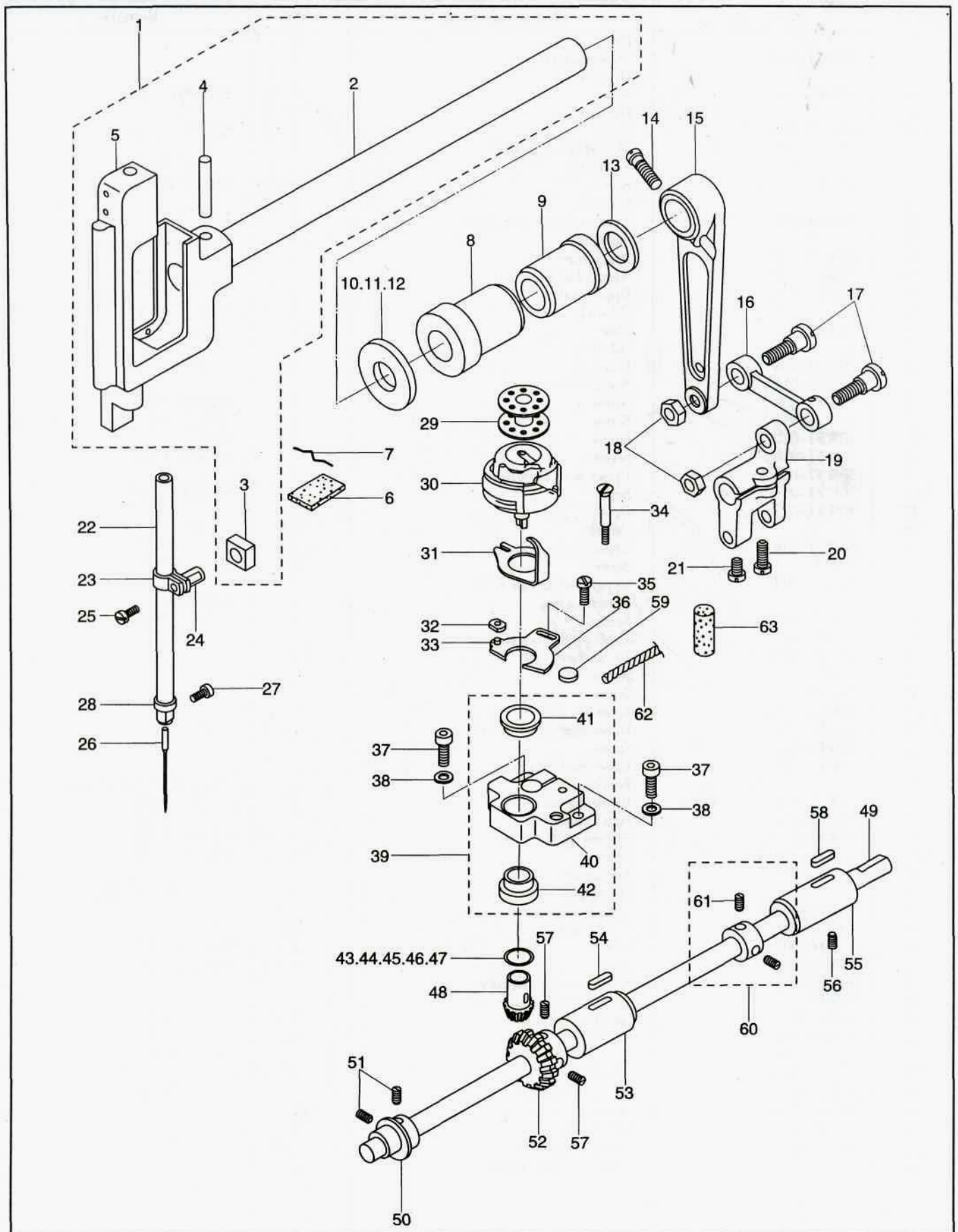
## 2.Upper shaft and thread take-up lever components



## 2.Upper shaft and thread take-up lever components

Ref. NO.	Parts No.	Name of parts	Qty.	Remarks
1		Plug	2	
2	16WF1-010	Take-up lever pin	1	
3		Oil wick	1	
4	50WF1-022	Screw	2	SM15/64"x28
5		Oil wick	1	
6	50WF1-004	Screw	1	SM15/64"x28
7	50WF1-005	Thread take-up lever	1	
8	50WF3-043	Feed cam	1	
9	18227	Screw	2	SM1/4"x40
10		Oil wick	1	
11	50WF1-006	Take—up lever sliding block	1	
12		Oil wick	1	
13	50WF1-062	Hinge screw	1	
14	50WF1-007	Needle bar crank rod	1	
15	50WF1-015	Upper shaft	1	
16		Oil wick	1	
17	50WF1-014	Plug	1	
18		Oil wick	1	
19	50WF1-008	Crank pin	1	
20	50WF1-011	Needle bar crank	1	
21	50WF1-009	Screw	1	SM9/32" x 28
22	50WF1-013	Screw	1	SM9/32" x 28
23	50WF1-012	Screw	1	SM9/32" x 28
24	50WF1-010	Screw	1	SM9/32" x 28
25	50WF1-016	Upper shaft bush(front)	1	
26	50WF1-019	Screw	1	SM15/64" x 28
27	50WF1-017	Oil felt	2	
28		Oil felt	2	
29	50WF1-018	Upper shaft bush(middle)	1	
30	18227	Screw	2	SM1/4" x 40
31	50WF3-034	Upper feed driving cam	1	
32		Retaining ring	1	GB894.2-86 26
33	50WF1-062	Screw	1	
34	50WF1-024	Timing pulley(upper)	1	
35	50WF1-025	Set screw	1	
36	50WF1-013	Screw	1	
37	50WF1-019	Screw	1	
38	50WF1-035	Screw	2	
39	50WF1-021	Upper shaft bearing bush	1	
40	50WF1-022	Screw	2	
41	50WF1-020	Upper shaft bush(rear)	1	
42		Bearing	1	15x35x11 (202 type)
43	50WF1-023	Retaining collar	1	
44	50WF1-028	Hand wheel	1	
45	50WF1-019	Screw	1	SM15/64" x 28
46	50WF1-029	Screw	1	SM15/64" x 28
47	50WF1-027	Timing belt	1	
48		Spring pin	1	GB879-86 2x10
49	50WF1-032	Timing pulley(lower)	1	
50	16WF1-043	Spring ring	2	
51	21WF6-007	Screw	2	SM9/64" x 40
52	50WF1-030	Screw	1	SM5/16" x 24
53	50WF1-051	Safety clutch push button	1	
54	50WF1-053	Push button cylinder	1	
55	50WF1-052	Safety clutch disc	1	
56	50WF1-034	Safety base	1	
57	16WF3-046	Spring	1	
58	22WF1-013	Safety clutch spring	1	
59	22WF1-018	Safety clutch hook	1	
60	22WF1-016	Safety clutch counter-hook	1	
61	22WF1-014	Counter-hook spring	1	
62	22WF1-017	Safety clutch link	1	
63		Safety clutch link pin	1	

### 3. Needle bar and hook driving shaft components

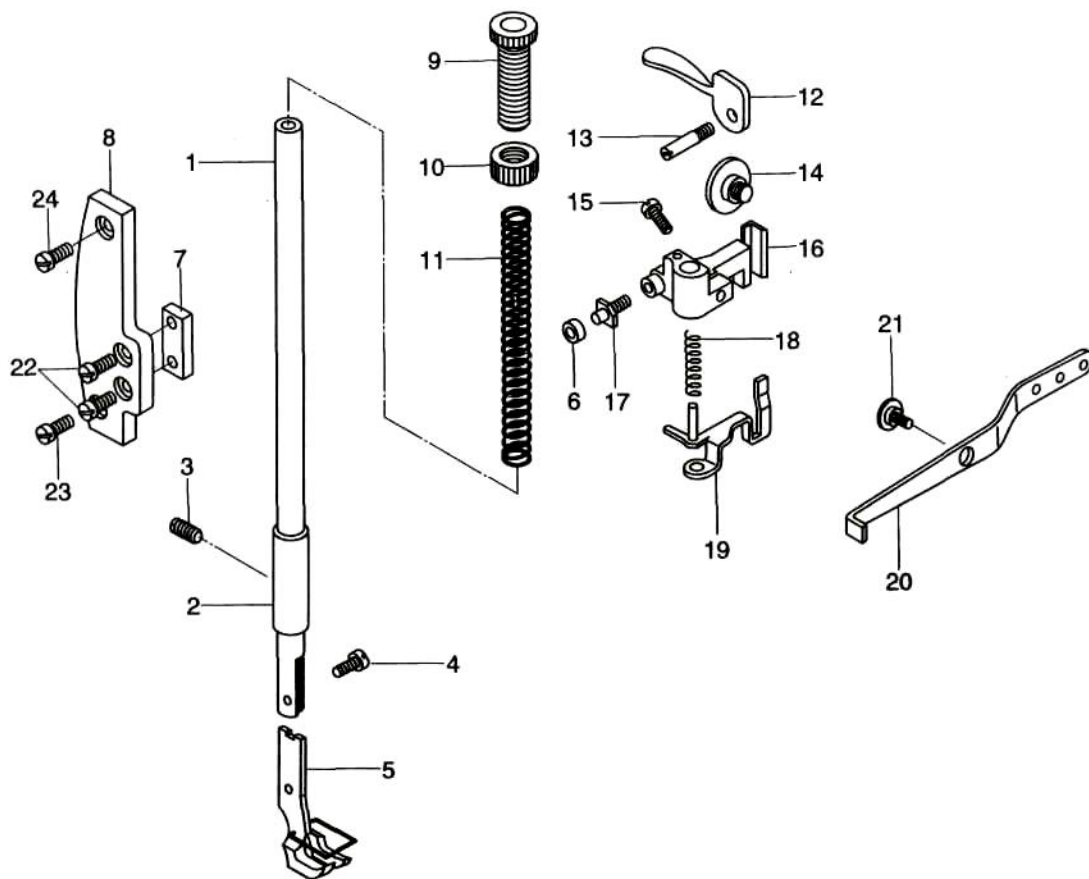


### 3. Needle bar and hook driving shaft components

Ref. NO.	Parts No.	Name of parts	Qty.	Remarks
1		Needle bar rocking frame assembly	1	
2	50WF3-001	Needle bar rocking frame shaft	1	
3	50WF3-002	Needle bar slide block	1	
4		Pin	1	GB117-86 A5x28
5	50WF3-003	Needle bar rocking frame	1	
6	50WF3-004	Felt	1	
7	50WF3-005	Retainer	1	
8	50WF3-006	Rocking shaft bush(front)	1	
9	50WF3-007	Rocking shaft bush(rear)	1	
10	50WF3-008	Washer	1	T=1.5
11		Washer	1	T=1.35 1*
12		Washer	1	T=1.65 1*
13		Washer	1	T=1.65
14	50WF3-010	Screw	1	SM15/64" x 28
15	50WF3-009	Rocking shaft crank	1	
16	50WF3-011	Connecting rod	1	
17	50WF3-012	Hinge screw	2	
18	50WF3-013	Nut	2	SM9/32" x 28
19	50WF3-014	Feed shaft crank	1	
20	34T5-540	Screw	1	SM15/64" x 28
21	36T5-008E5	Screw	1	SMI 1/64" x 40
22	50WF1-001	Needle bar	1	
23	50WF1-003	Needle bar connection	1	
24		Felt	1	
25	22TW3-014	Screw	1	SM9/64"x40
26		Needle	1	DPx17
27	22T2-017	Screw	1	SMI/8" x 40
28	50WF1-002	Needle bar thread guide	1	
29	33T1-027	Bobbin	1	
30		Rotary hook	1	SKRT341-NR
31	50WF1-047	Inner hook guide	1	
32	50WF1-048	Slide block	1	
33		Slide block pin	1	
34	50WF1-046	Screw	1	
35	16WF2-017	Screw	1	SM9/64" x 40
36	50WF1-049	Adjusting plate	1	
37		Screw	2	GB70-85 M5 x 12
38		Washer	2	GB95-85 5
39		Hook shaft saddle assembly	1	
40	50WF1-050	Hook shaft saddle	1	
41		Hook shaft bush(upper)	1	
42	50WF1-045	Hook shaft bush(lower)	1	
43		Washer	1	T=1.88 1#
44		Washer	1	T=1.92 1#
45	50WF1-044	Washer	1	T=1.96
46		Washer	1	T=2.00 1#
47		Washer	1	T=2.04 1#
48	50WF1-043	Hook shaft gear	1	
49	50WF1-031	Lower shaft	1	
50	50WF3-016	Feed cam	1	
51	50WF3-017	Screw	2	SM15/64" x 28
52	50WF1-040	Lower shaft bevel gear	1	
53	50WF1-036	Lower shaft bush(front)	1	
54	50WF1-037	Oil felt	1	
55	50WF1-038	Lower shaft bush(rear)	1	
56	50WF1-022	Screw	1	SM15/64" x 28
57	50WF1-041	Screw	3	SMI/4"x40
58	50WF1-039	Felt	1	
59		Felt	1	
60	50WF1-042	Lower shaft collar	1	
61	17027	Screw	2	SM11/64"x40
62		Oil wick	1	
63		Felt	1	

Note: #1 -----option

## 4.Presser foot components

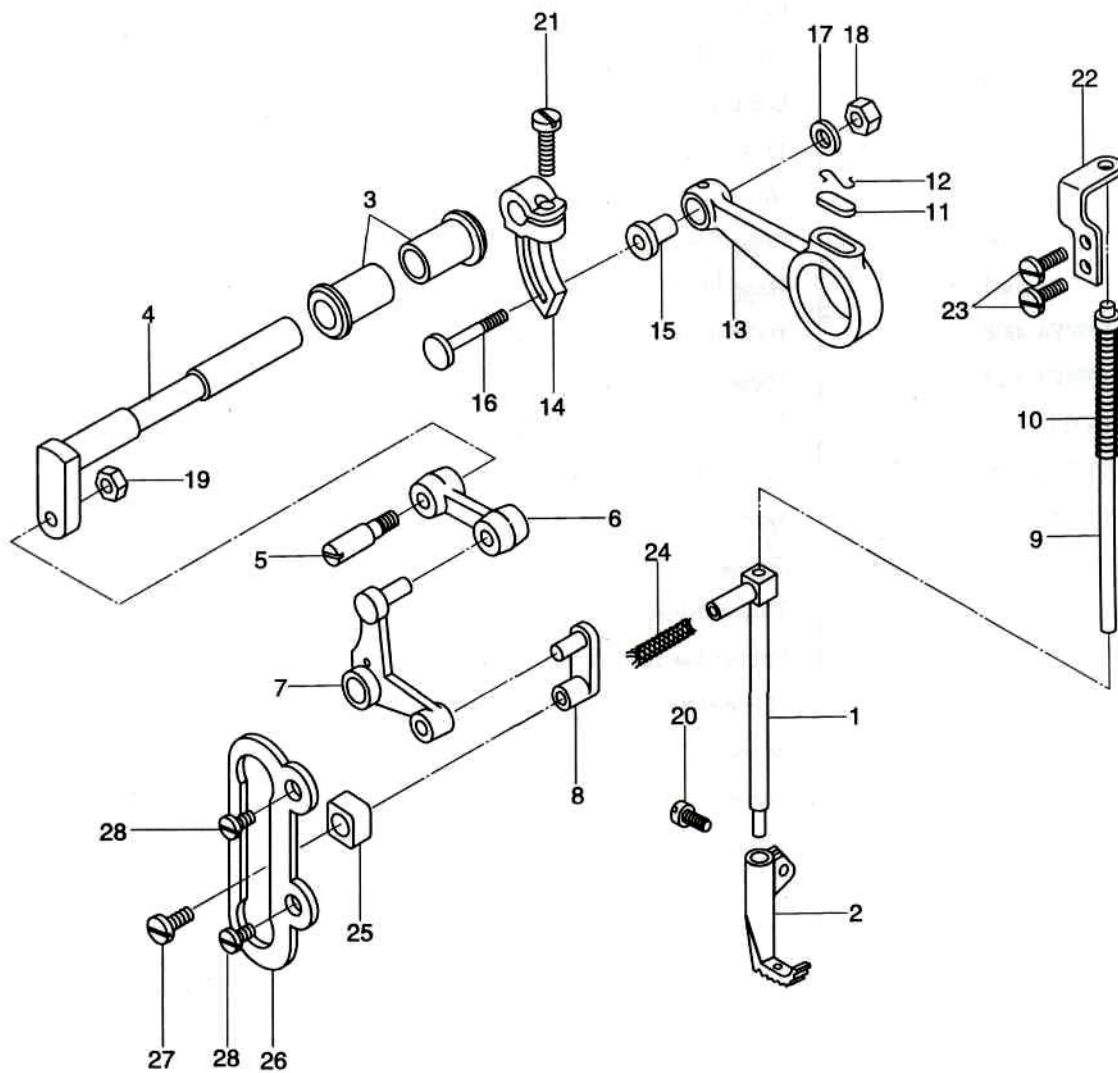


#### 4. Presser foot components

Ref. NO.	Parts No.	Name of parts	Qty.	Remarks
1	22WF3-005	Presser bar	1	
2	50WF4-001	Presser bar lower bush	1	
3	50WF1-022	Screw	1	SM15/64" x 28
4	22WF3-014	Screw	1	SM9/64" x 40
5	50WF4-002	Outer presser foot assembly	1	
6	50WF4-011	Connecting pin roller	1	
7	50WF4-017	Presser bar bracket guide	1	
8	50WF4-015	Guide plate base	1	
9	1KT4-001	Pressure adjustment screw	1	
10	1KT4-002	Nut	1	
11	50WF4-006	Presser spring	1	
12	50WF4-007	Hand lifter	1	
13	50WF4-008	Hand lifter pin	1	
14	50WF4-014	Hinge screw	1	
15	16034	Screw	1	SM11/64"x40
16	50WF4-009	Presser lifting lever base	1	
17	50WF4-010	Screw	1	
18	50WF4-013	Spring	1	
19	50WF4-012	Thread release guide assembly	1	
20	50WF4-018	Presser bar lifting lever	1	
21	50WF4-019	Hinge screw	1	
22	22WF2-017	Screw	2	SM3/16" x 32
23	50WF4-016	Screw	1	SM15/64"x28
24	22WF2-017	Screw	1	SM3/16" x 32



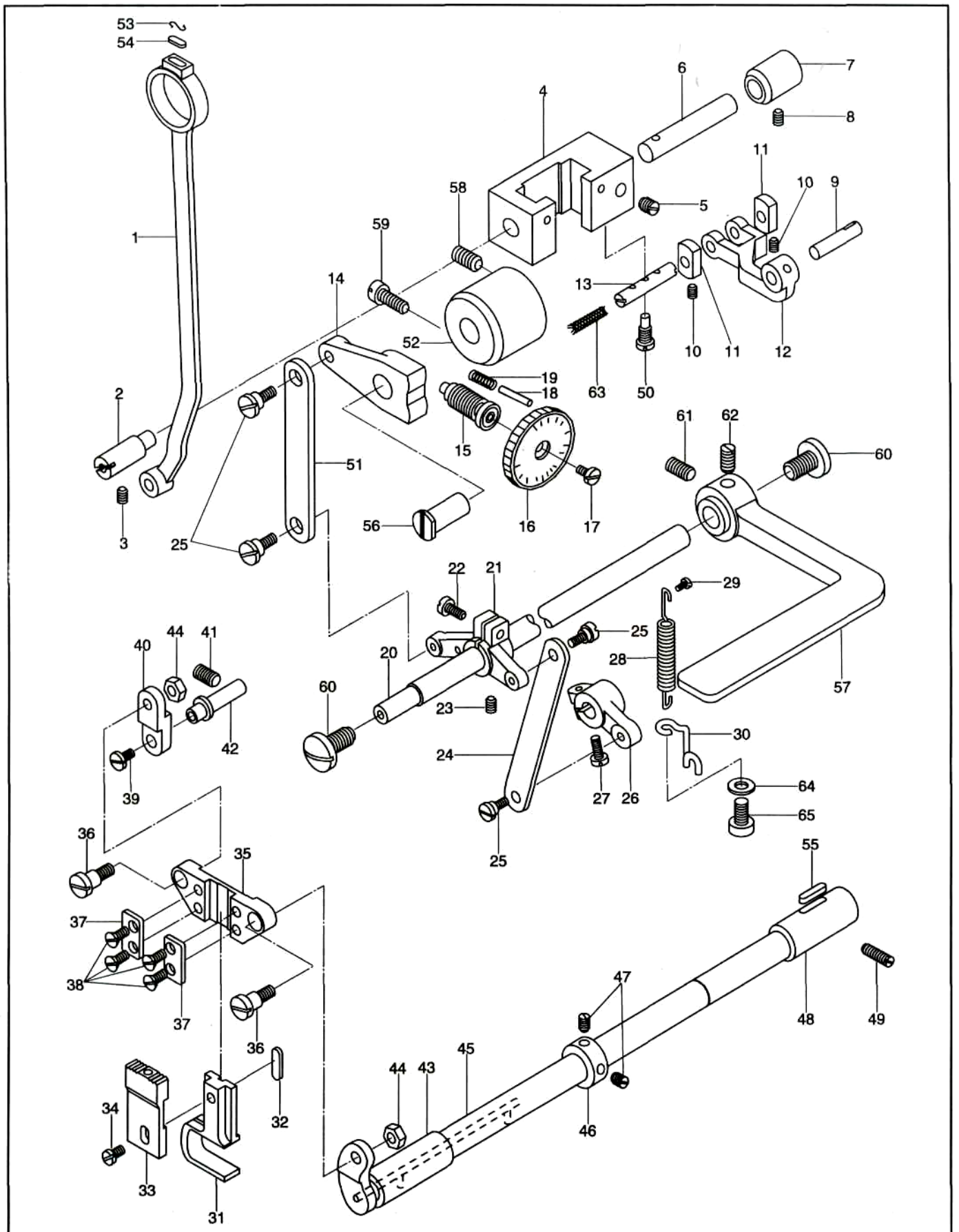
## 5.Upper feed mechanism components



## 5.Upper feed mechanism components

Ref. NO.	Parts No.	Name of parts	Qty.	Remarks
1	55WF3-018	Inner presser foot bar	1	
2	50WF3-019	Inner presser foot	1	
3	50WF3-021	Bush	2	
4	50WF3-022	Upper feed shaft	1	
5	50WF3-023	Screw stud	1	
6	50WF3-025	Upper feed connecting link	1	
7	50WF3-026	Upper feed sewing plate	1	
8	50WF3-027	Inner presser foot driving link	1	
9	50WF3-031	Inner presser foot rod	1	
10	50WF3-032	Inner presser foot spring	1	
11	50WF3-036	Felt	1	
12	22WF4-040	Felt retainer	1	
13	50WF3-035	Upper feed driving rod	1	
14	50WF3-038	Upper feed crank	1	
15	50WF3-037	Connecting stud	1	
16	50WF3-040	Hinge screw	1	
17	50WF3-041	Washer	1	
18	50WF3-042	Nut	1	SM11/64" x 40
19	50WF3-024	Nut	1	SM1/4"x40
20	50WF3-020	Screw	1	SM11/64" x 40
21	50WF3-039	Screw	1	SM1/4" x 24
22	50WF3-033	Inner presser foot retaining plate	1	
23	16WF1-059	Screw	2	SM9/64"x40
24		Oil wick	2	
25	50WF3-029	Slide block	1	
26	50WF3-030	Slider block holder	1	
27	17078	Screw	1	SM11/64"x40
28	1WF1-011	Screw	2	SM11/64"x40

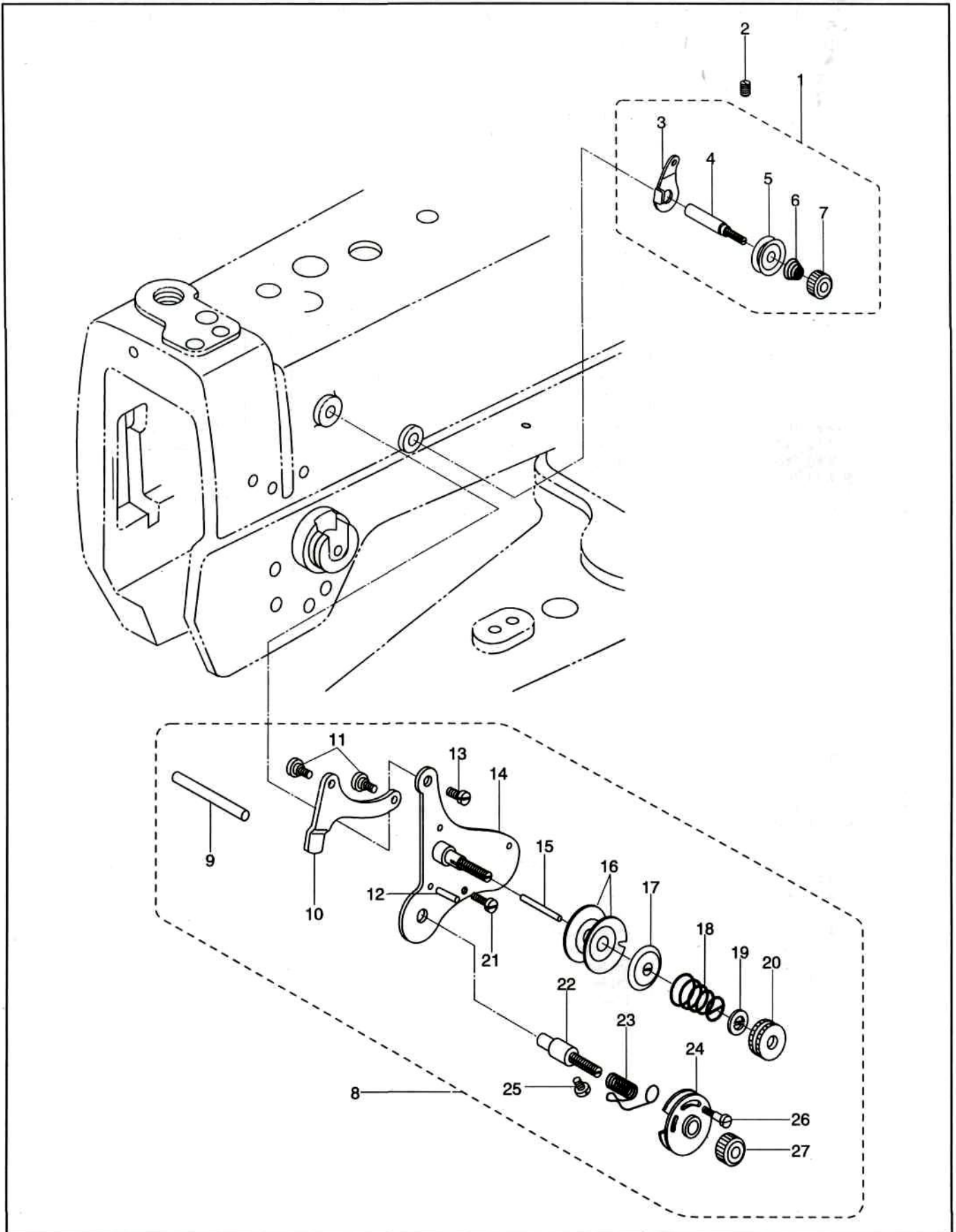
## 6. Lower feed mechanism components



## 6.Lower feed mechanism components

Ref. NO.	Parts No.	Name of parts	Qty.	Remarks
1	50WF3-044	Feed connecting rod	1	
2	50WF3-045	Hinge pin	1	
3	50WF3-017	Screw	1	SM11/64" x 28
4	50WF3-046	Reverse feed driving rocker	1	
5	J0.0.40	Screw	1	
6	50WF3-047	Reverse feed driving rocker shaft	1	
7	50WF3-049	Bush	1	
8	50WF3-017	Screw	1	SM15/64" x 28
9	50WF3-015	Pin	1	
10	50WF3-051	Screw	2	SM9/64" x 40
11	50WF3-050	Slide block	2	
12	50WF3-053	link	1	
13	50WF3-052	Slide block shaft	1	
14	50WF3-059	Feed regulator	1	
15	50WF3-056	Screw	1	
16	50WF3-055	Stitch dial	1	
17	50WF3-057	Screw	1	SM3/16" x 28
18	17WF4-035	Pin	1	
19	50WF3-058	Spring	1	
20	50WF3-062	Reverse feed lever shaft	1	
21	50WF3-066	Reverse feed lever shaft crank	1	
22	16056	Screw	1	
23	50WF3-017	Screw	1	SM3/16" x 28
24	50WF3-068	Reverse feed crank link	1	SM15/64"x28
25	50WF3-069	Hinge screw	4	
26	50WF3-074	Crank	1	
27	16056	Screw	1	SM3/64" x 28
28	50WF3-070	Tension spring	1	
29	50WF3-071	Screw	1	
30	50WF3-072	Suspension hook	1	
31	50WF3-084	Feed bar crank	1	
32	50WF3-085	Oil felt	1	
33	50WF3-086	Feed dog	1	
34	22WF4-014	Screw	1	
35	50WF3-080	Feed bar support	1	
36	50WF3-083	Hinge screw	2	
37	50WF3-081	Feed bar support plate	1	
38	50WF3-082	Screw	4	SM1/8" x 44
39	50WF3-089	Screw	1	SM11/64"x40
40	50WF3-087	Feed bar link	1	
41	50WF1-022	Screw	1	SM15/64" x 28
42	50WF3-088	Pin	1	
43	50WF3-075	Feed shaft bush(front)	1	
44	50WF3-024	Nut	2	SM1/4" x 40
45	50WF3-078	Feed shaft	1	
46	50WF3-079	Feed shaft collar	1	
47	18227	Screw	2	SM1/4"x40
48	50WF3-076	Feed shaft bush(rear)	1	
49	50WF1-019	Screw	1	SM15/64"x28
50	50WF3-048	Screw	1	SM15/64" x 28
51	50WF3-067	Link	1	
52	50WF3-060	Feed regulator bush	1	
53	50WF4-040	Felt retainer	1	
54	50WF3-036	Oil felt	1	
55	50WF3-077	Oil felt	1	
56	50WF3-061	Hinge pin	1	
57	50WF3-064	Feed lever	1	
58	50WF1-022	Screw	1	SM15/64" x 28
59	1WF2-029	Screw	1	SM15/64" x 28
60	50WF3-063	Screw	2	SM3/16" x 32
61	1WF2-010	Screw	1	SM1/4" x 40
62	50WF3-065	Screw	1	SM1/4" x 40
63		Oil wick	1	
64	50WF3-073	Washer	1	
65	22WF3-014	Screw	1	SM9/64" x 40

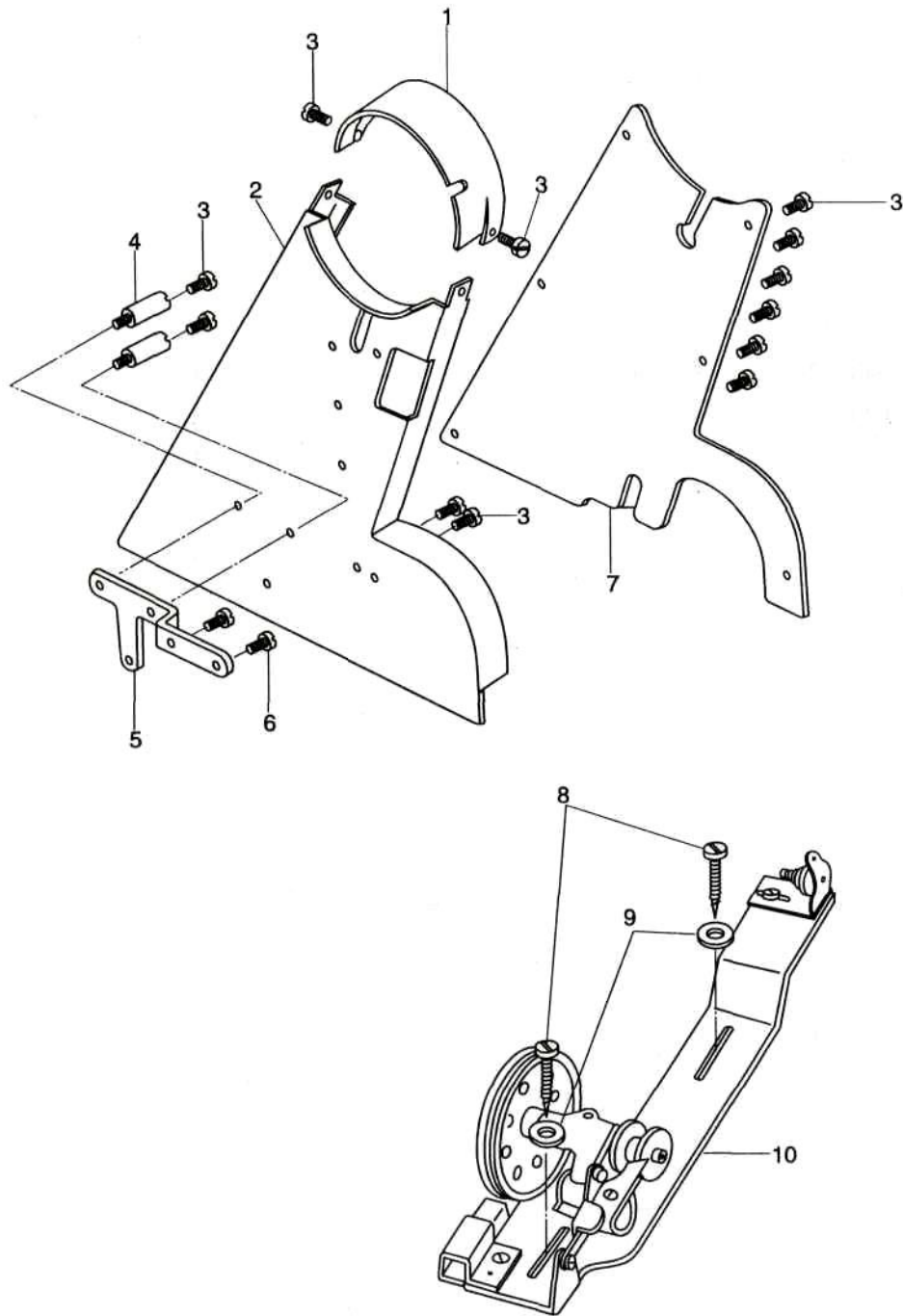
## 7.Thread tension components



## 7.Thread tension components

Ref. NO.	Parts No.	Name of parts	Qty.	Remarks
1	50WF2-035	Thread tension controller assembly	1	
2	1WF5-022	Screw	1	SM11/64"x40
3	50WF2-035A2	Thread guide	1	
4	50WF2-035A1	First tension post	1	
5	50WF2-035A4	Thread tension disc	2	
6	50WF2-035A3	Spring	1	
7	50WF2-035A5	Thread tension nut	1	
8		Thread tension controller assembly	1	
9	16WF2-047	Thread tension release bar	1	
10	16WF2-046A14	Thread tension release lever	1	
11	16WF2-046A15	Hinge screw	2	
12	16WF2-046A12	Thread tension stud	1	
13	16WF2-020	Screw	1	SM11/64"x32
14	50WF2-033	Thread tension controller base	1	
15	16WF2-046A13	Thread release pin	1	
16	16WF2-046A6	Thread tension disc	2	
17	16WF2-046A5	Thread tension disc	1	
18	16WF2-046A4	Tension spring	1	
19	153029	Stopper	1	
20	16WF2-046A3	Thread tension stud nut	1	
21	16WF2-015	Screw	1	SM9/64"x40
22	16WF2-046A10	Thread take-up spring shaft	1	
23	16WF2-046A7	Thread take—up spring	1	
24	16WF2-046A8	Thread tension guide disc	1	
25	16WF2-033	Screw	1	SM11/64"x32
26	16WF2-046A9	Screw	1	SM1/8"x44
27	16WF2-046A11	Nut	1	

## 8. Belt cover and bobbin winder components

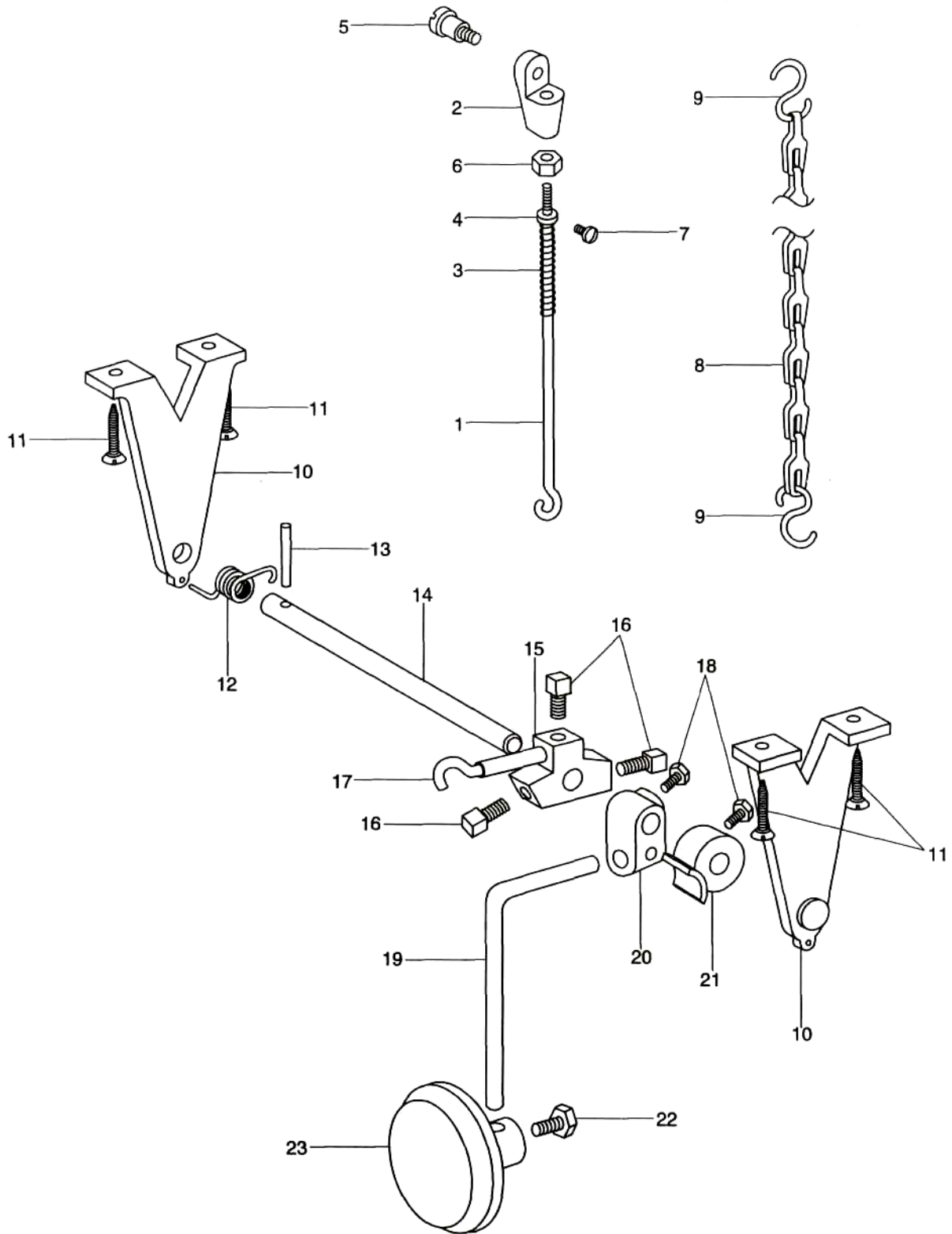


## 8. Belt cover and bobbin winder components

Ref. NO.	Parts No.	Name of parts	Qty.	Remarks
1	50WF5-007	Belt cover(3)	1	
2	50WF5-005	Belt cover(1)	1	
3	40T2-202	Screw	12	SM11/64" x 40
4	50WF5-009	Support screw	2	
5	50WF5-008	Belt cover support plate	1	
6	22T4-015	Screw	2	SM11/64" x 40
7	50WF5-006	Belt cover(2)	1	
8	33TF-017	Wooden screw	2	
9	33TF-011	Washer	2	
10	S14420020	Bobbin winder assembly	1	



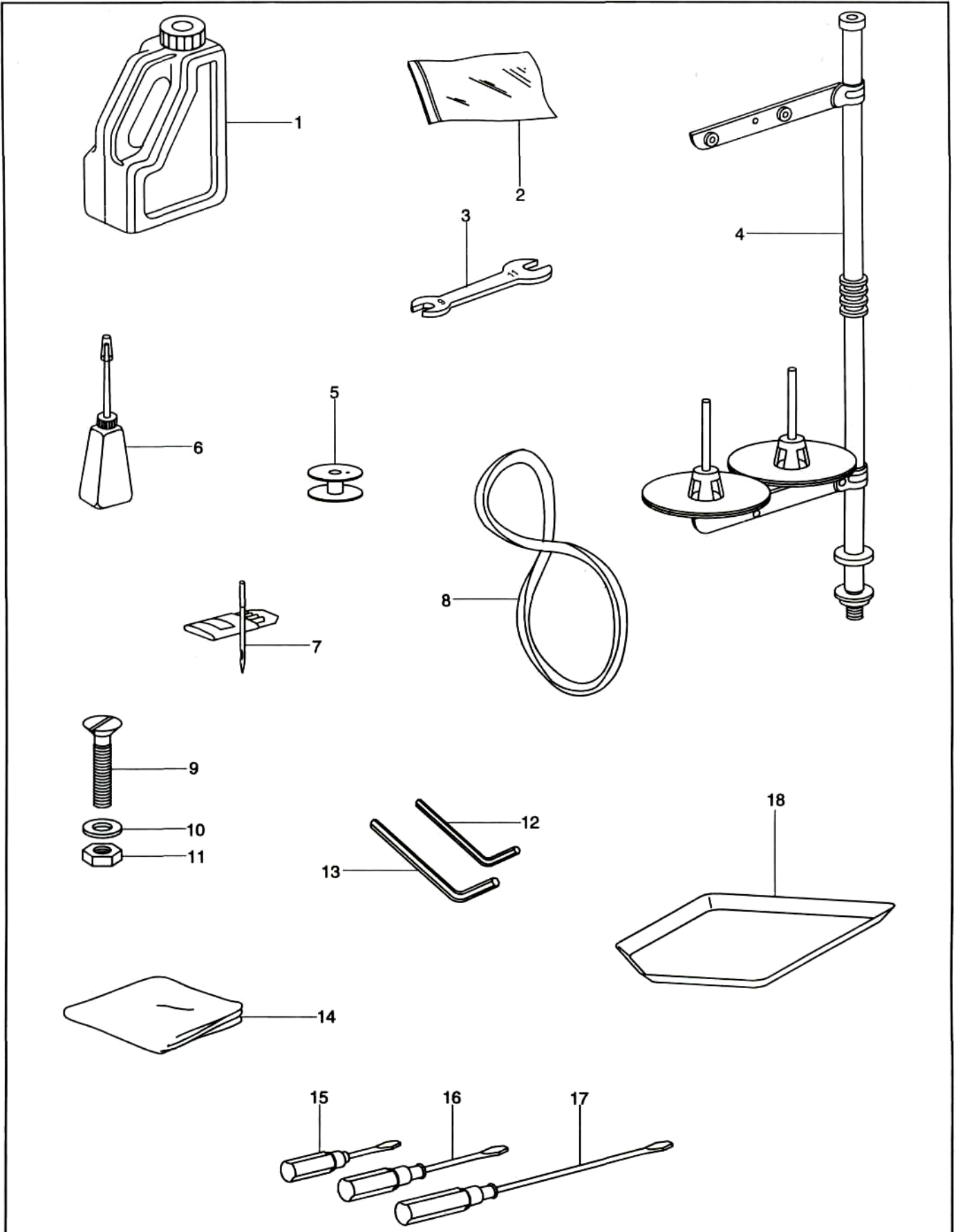
## 9. Knee lifter components



## 9.Knee lifter components

Ref. NO.	Parts No.	Name of parts	Qty.	Remarks
1	50WF4-020	Hanging rod	1	
2	50WF4-023	Bar connection	1	
3	50WF4-021	Spring	1	
4	50WF4-022	Spring holder	1	
5	50WF4-024	Hinge screw	1	
6	50WF2-018	Nut	1	
7	36T5-008E5	Screw	1	
8	606082	Chain	1	length 1000cm
9		"S" shaped hook	2	
10	33T5-005	Knee lifter base	2	
11		Wooden screw	4	GB99 ST5 x 8
12	33T5-006	Spring	1	
13		Pin	1	GB119 31x2
14	33T5-007B1	Knee lifter shaft	1	
15	50WF6-001	Knee lifter crank	1	
16		Set screw	3	GB821 M8x11
17	50WF6-002	Knee lifter crank hook	1	
18		Screw	2	GB821 M8x11
19	33T5-009	Knee lifter plate rod	1	
20	33T5-008	Bracket	1	
21	33T5-011E	Knee lifter adjustment bracket	1	
22		Hexagonal screw	1	GB21 M6 x 10
23	33T5-010F	Knee lifter press assembly	1	

## 10. Accessories



## 10. Accessories

Ref. NO.	Parts No.	Name of parts	Qty.	Remarks
1	1F-009	Oil box	1	
2	33TF-010	Parts bag	1	
3		Wrench	1	
4	4F-007	Thread stand assembly	1	
5	33T1-027	Bobbin	6	
6	33TF-011	Oil pot	1	
7		Needle	5	DPX17
8		V-belt	1	
9	50WF5-010	Screw	4	M6x70
10		Washer	4	GB5287-856
11		Nut	4	GB41-85 M6
12		Hexagonal wrench 3	1	S=3
13		Hexagonal wrench 4	1	S=4
14	1F-013	Machine cover	1	
15	33TF-014	Screw driver (small)	1	
16	33TF-013	Screw driver (middle)	1	
17	33TF-012	Screw driver (big)	1	
18	50WF5-011	Oil pan	1	